

FIG. 1 (PRIOR ART)

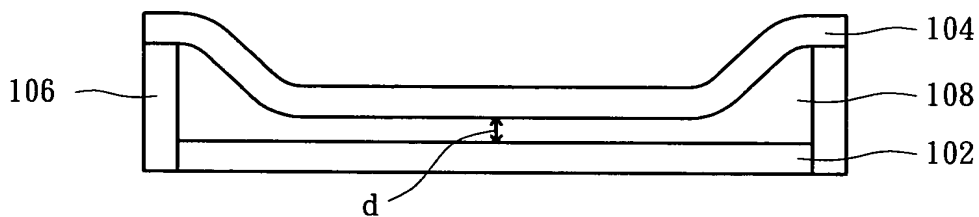


FIG. 2 (PRIOR ART)

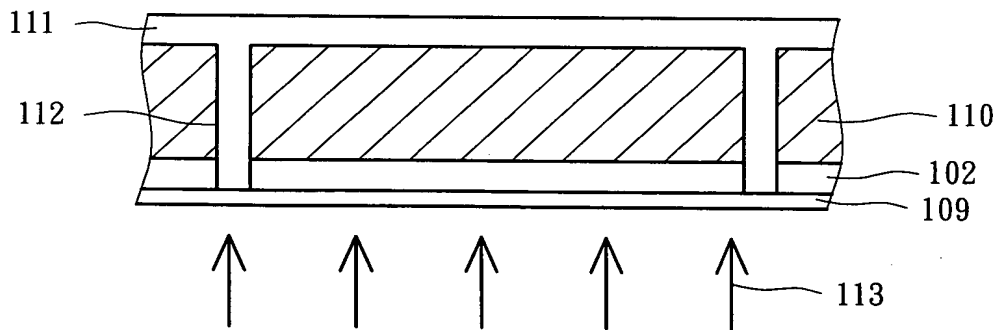


FIG. 3A (PRIOR ART)

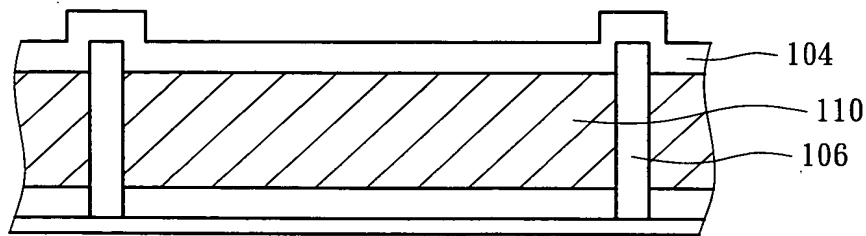


FIG. 3B (PRIOR ART)

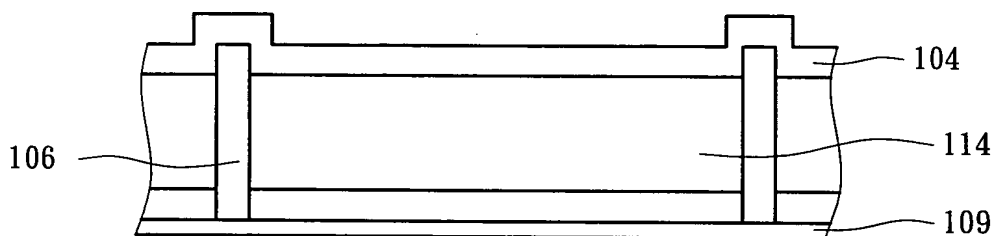


FIG. 3C (PRIOR ART)

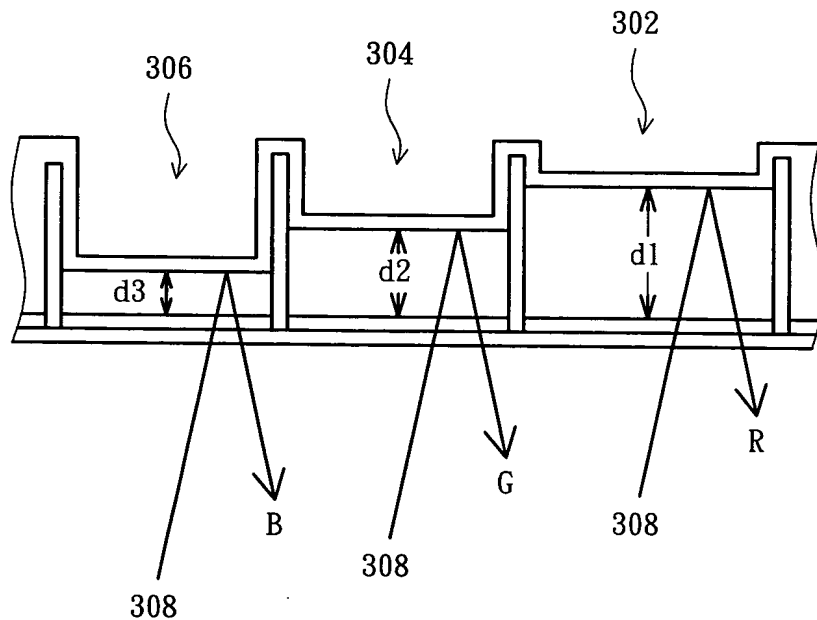


FIG. 4 (PRIOR ART)

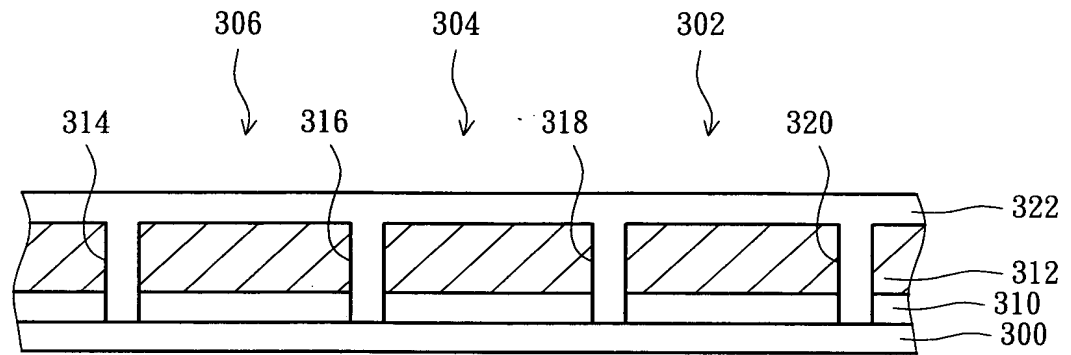


FIG. 5A (PRIOR ART)

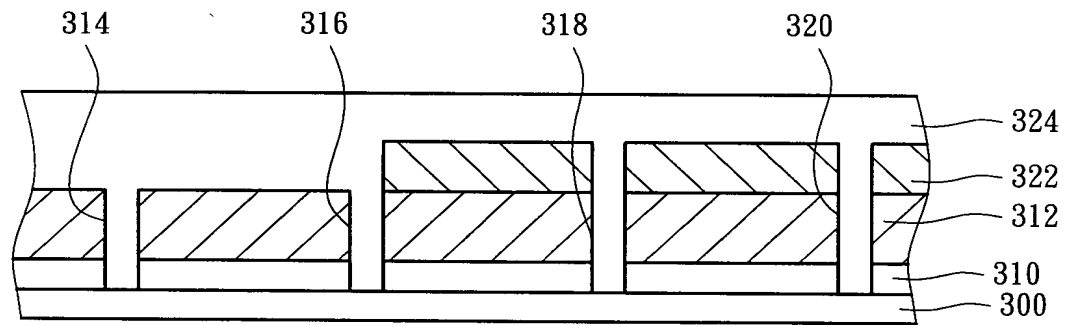


FIG. 5B (PRIOR ART)

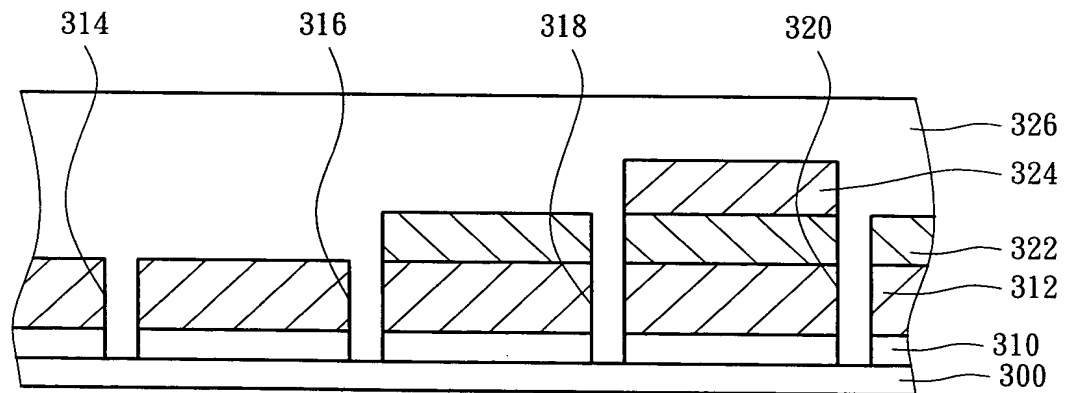


FIG. 5C (PRIOR ART)

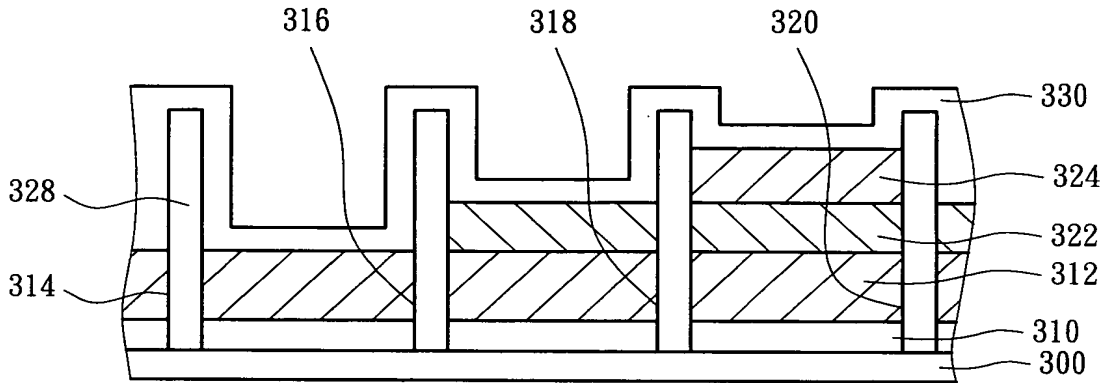


FIG. 5D (PRIOR ART)

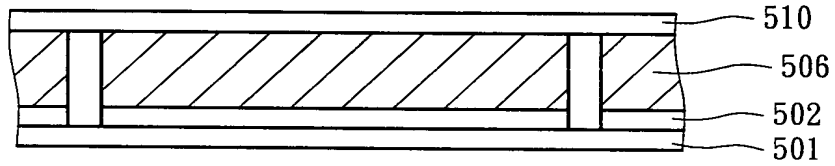


FIG. 6A

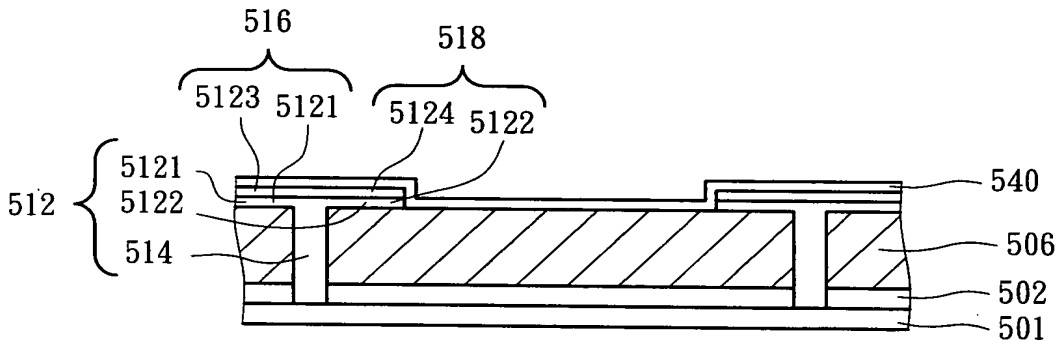


FIG. 6B

METHOD FOR FABRICATING AN INTERFERENCE DISPLAY UNIT

Wen-Jian Lin

Appl. No.: Unknown Atty Docket: TSAI26.001AUS

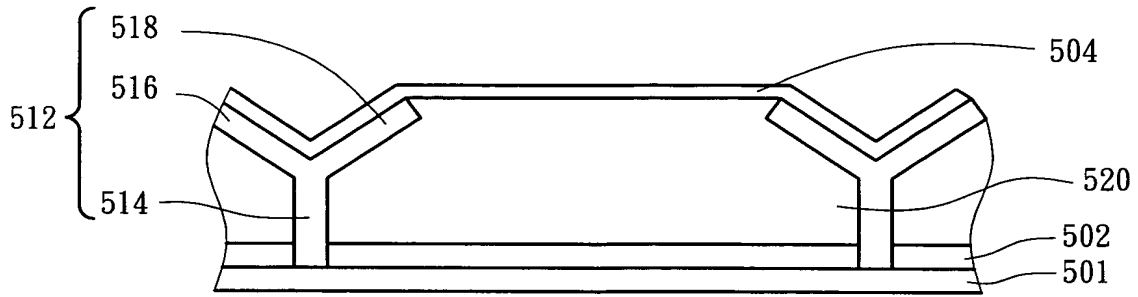


FIG. 6C

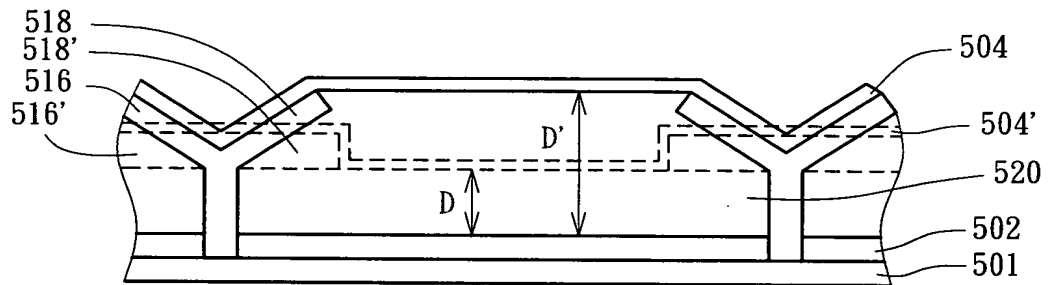


FIG. 6D

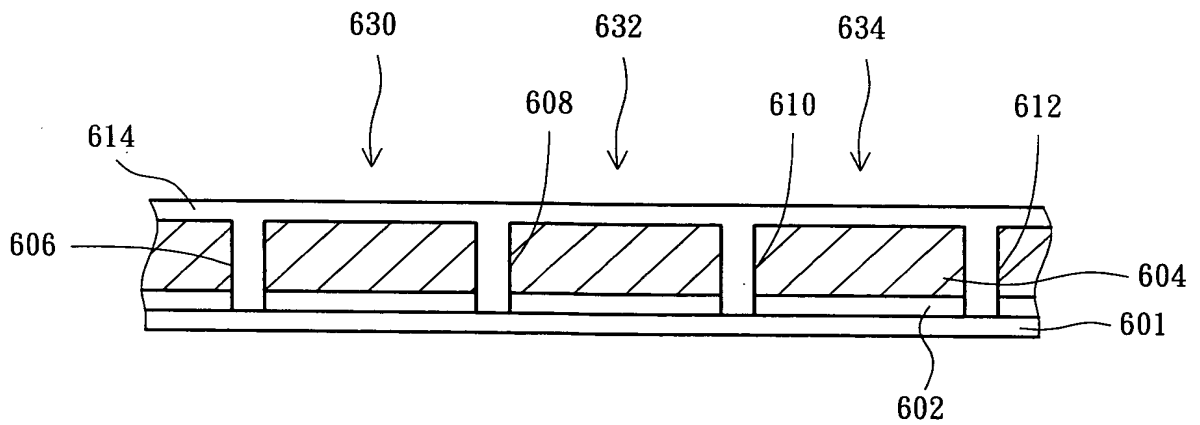


FIG. 7A

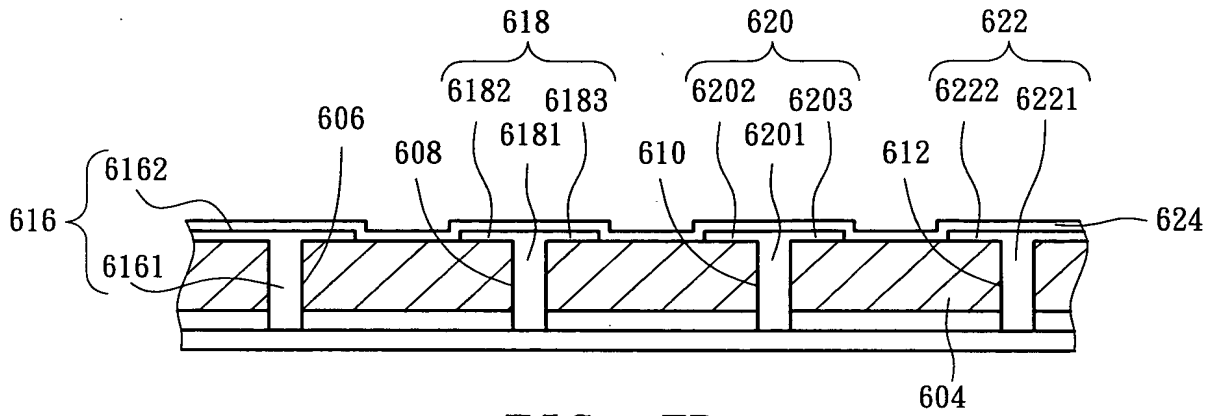


FIG. 7B

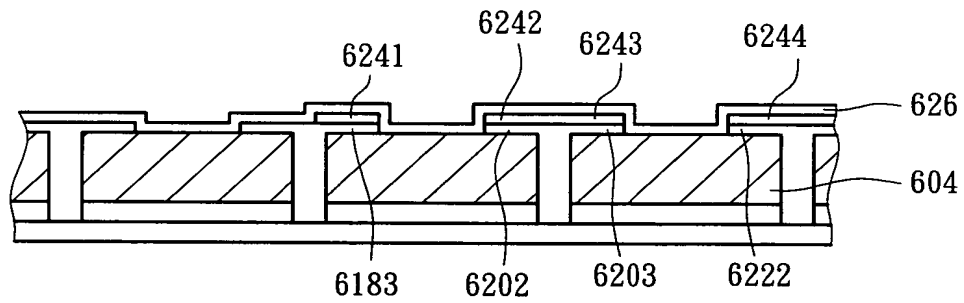


FIG. 7C

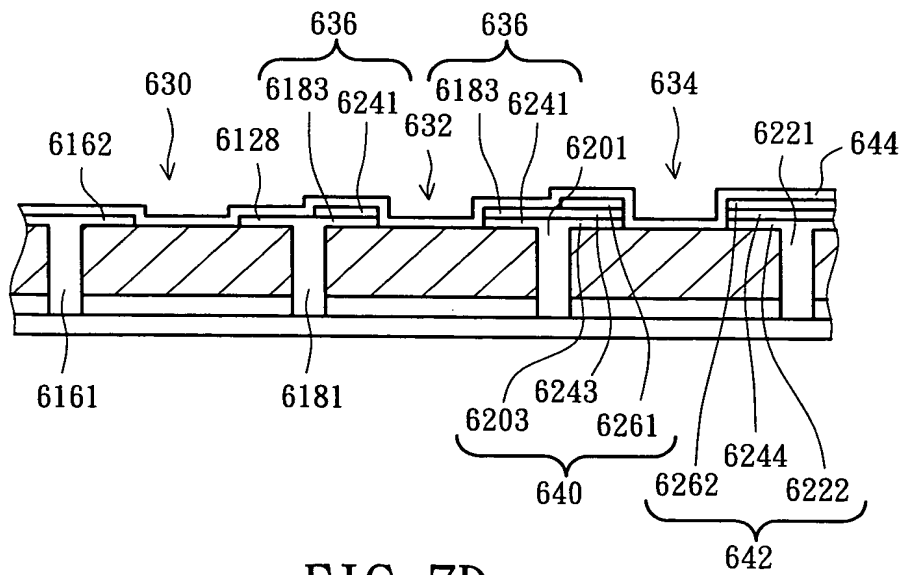


FIG. 7D

METHOD FOR FABRICATING AN INTERFERENCE DISPLAY UNIT

Wen-Jian Lin

Appl. No.: Unknown Atty Docket: TSAI26.001AUS

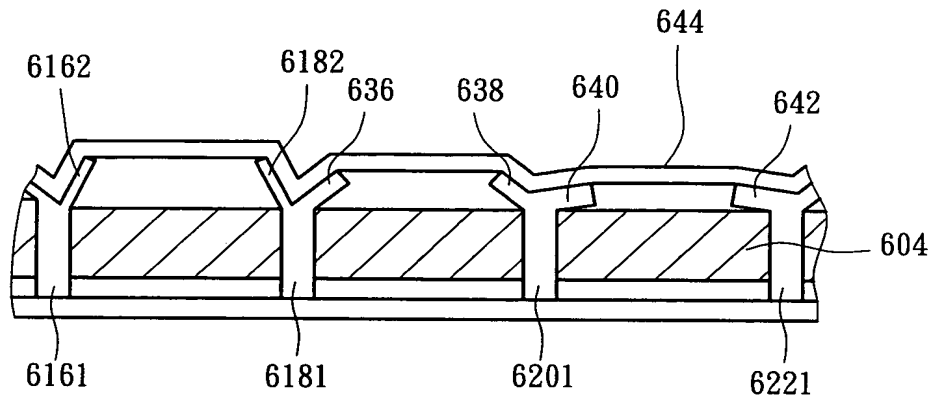


FIG. 7E

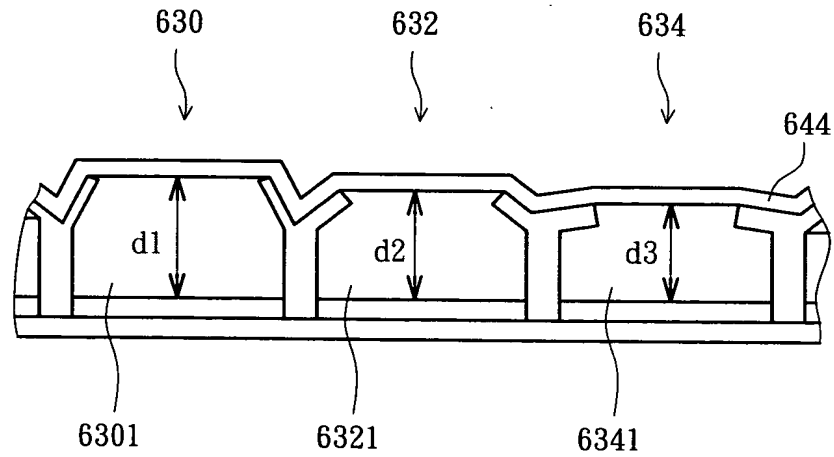


FIG. 7F